



Arco Qld Pty Ltd

PO Box 6340 Yatala Qld 4207

Phone +61 7 3807 5364

Fax +61 7 3382 7929

# INSTALLATION PROCEDURE & MAINTENANCE



## MIKADO FOLDING DOOR

MIKADO Folding Doors are designed to ease the problem in opening and closing the door. With a push of a hand, the door will travel down to the pocket.



- Installation of MIKADO Folding Door should only be undertaken by experienced Installer/Technician.
- Never allow anybody to be in close proximity when installing this door.
- Before commencing installation, ensure that the structure is suitable to carry the load of the door during operation. Consult the Structural Engineer/Builder of the project.

#### TOOLS REQUIRED

- Steel Tape
- Spirit Level
- Screw Drivers
- Drill Gun
- Drill Bits 5mm, 19mm, 23mm
- Ladder

#### PERSONAL PROTECTIVE EQUIPMENT

- Eye protection
- Hand Gloves
- Safety Shoes
- High Visibility Clothing
- Hard Hat

#### PACKING LIST

- Floor Socket (Fig.5)
- Roll Pins Imperial 3/32 x 3/4 (to join Top Track)
- Aluminium Joiner Pins (to join Top Track)
- 12G x 1 1/2 (spaced at 1.0 meter) for Timber fixing.
- Top Track
- Door Panels (Lockset with Keys built in)

#### STEP 1 : MEASUREMENTS/CHECKLISTS

- Measure the height in random distance (Fig.1)
- Always refer from Top of Track to the Finish Floor Line (Fig.1)
- Use the “smallest measurement” that you will get.
- Measure the “Daylight Width” (Fig.1)
- Ensure that the ceiling is horizontally level.
- Check the “Packing Lists”

#### STEP 2 : INSTALLATION

- Install the Top Track partly (Fig.2)
- Leave at least 1.0 meter to slide the panels in/out (Fig.3)
- When all panels are in the Track, insert the Joiner Pin & Roll Pins to join and complete the door width where the door has to travel (Fig.4)
- Drill a hole on the floor where the Drop Bolt is inline (Floor Socket in place).
- Drill a hole on the Top Track where the Locking is inline.
- Finish ceiling with tear away strip with 2mm gap.

#### STEP 3 : TESTING

Caution : Do not push/pull the door too hard. Hold the middle panel and push/pull slowly.

- When opening, unlock the key.
- When closing, Slide the grip down into the floor socket (Fig.6), slide the grip up to lock the pin into the top track (Fig.7)

**MAINTENANCE**

- Regularly clean the Polycarbonate infill with cloth and water.
- Avoid using chemicals to prevent from discoloration.
- Regularly check for foreign materials build up on the tracks.

**NOTE**

For Orders, please use the lay-out sheet, input all the details.

**SUPPORT DRAWINGS**

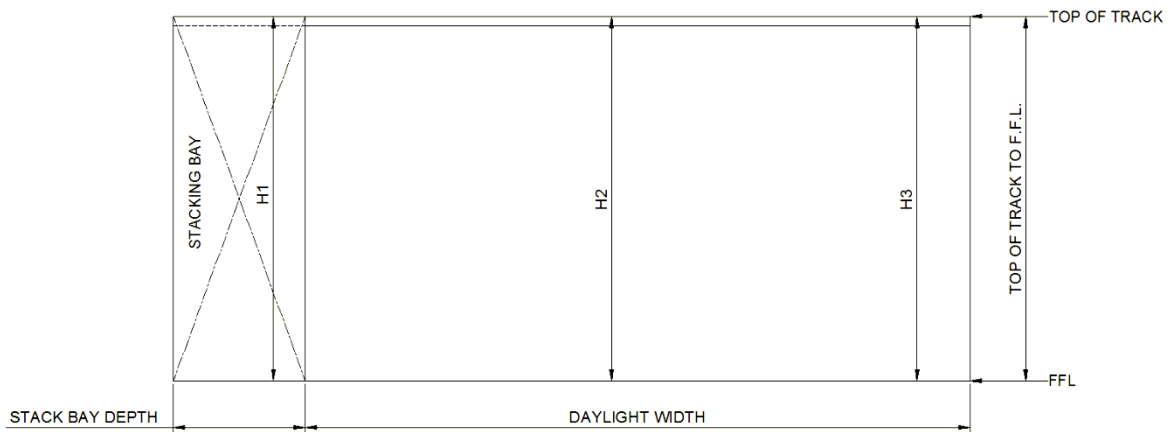


Figure 1

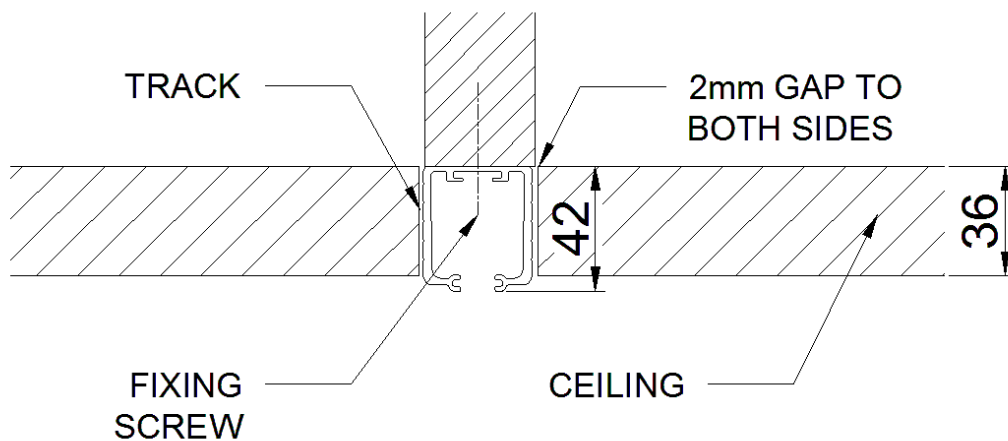


Figure 2

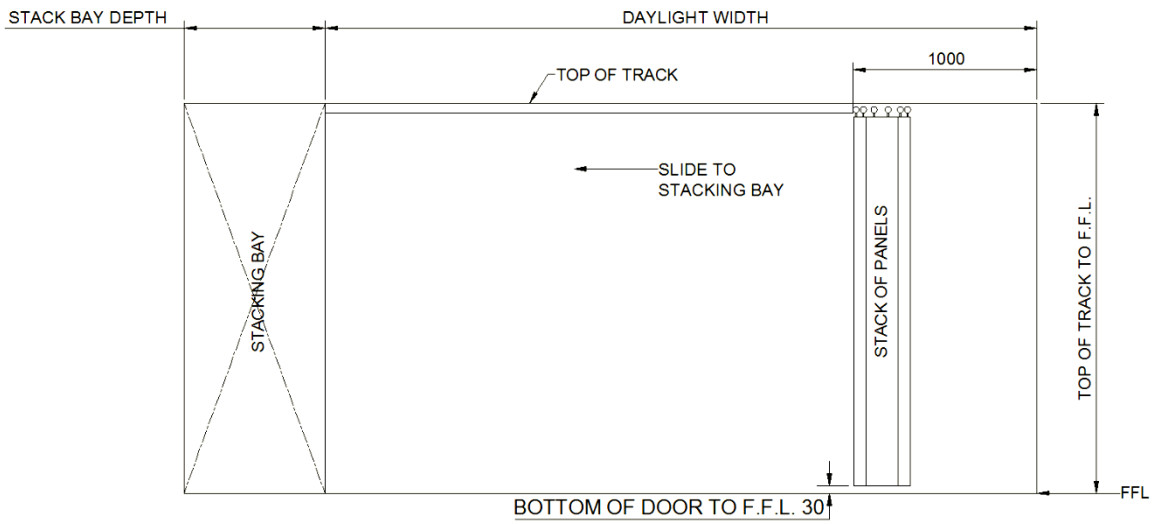


Figure 3

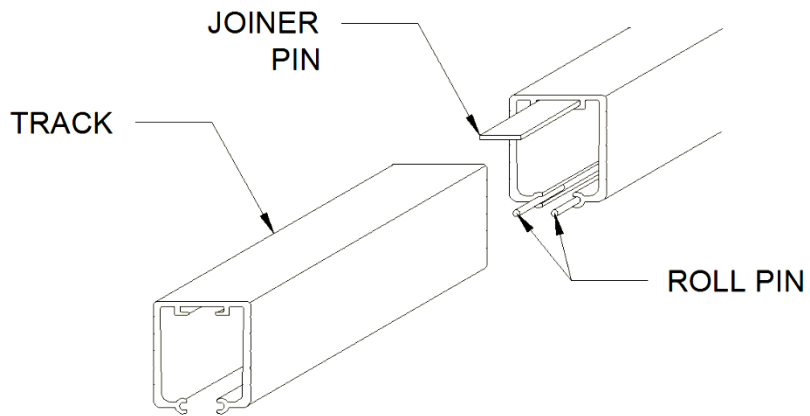


Figure 4

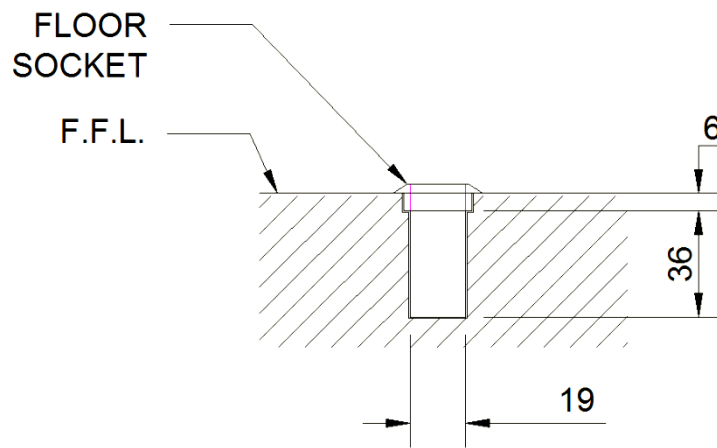
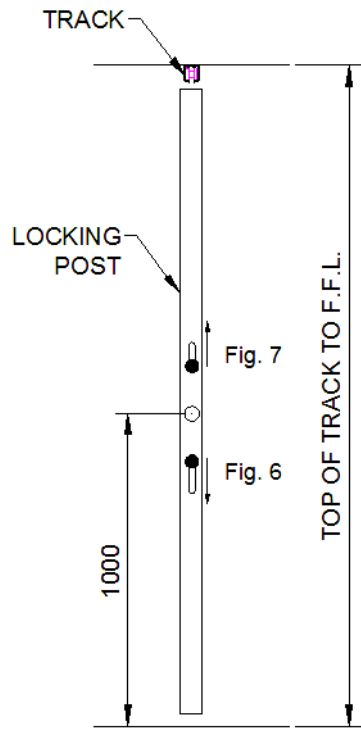
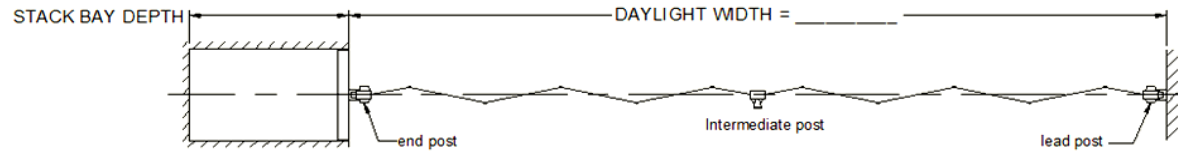


Figure 5

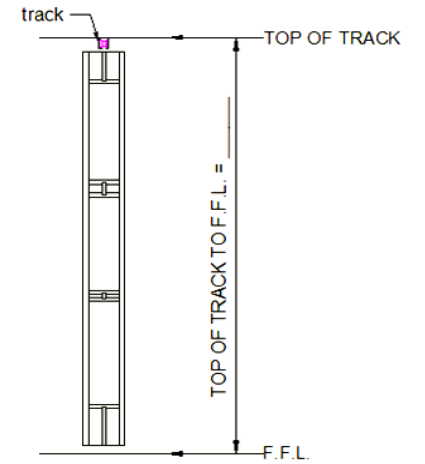
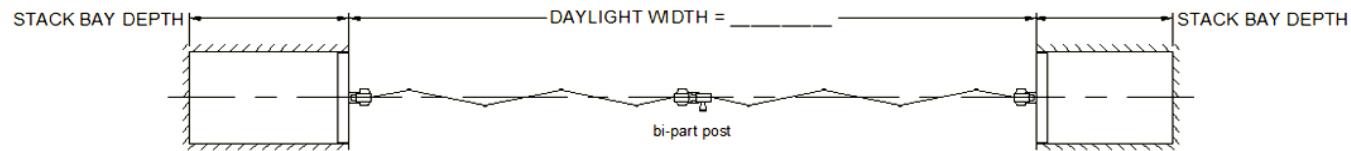


LAY OUT SHEET

SINGLE - single stack w/ wall channel on pocket door



BI PARTING - double stack w/ wall channel on pocket door



TYPE

- 150mm Wide       300mm Wide

INFILL

- Polycarbonate Infill       Perforated Aluminium

COLOUR

- Clear Anodise       Powder Coat ( Standard Colourbond Range)

LOCK SIDE

- Inside Only       Outside Only       Rear Snib

LOCKSET TYPE

- Top & Bottom Locking       Hook lock

KEY OPERATION

- Key Alike

DELIVERY ADDRESS

\_\_\_\_\_

\_\_\_\_\_

\_\_\_\_\_